
Subject
OB3626P Demo Board Manual

Board Model: LD60V0.24A3626P
Doc. No.: OB_DOC_DBM_3626P00



Key features:

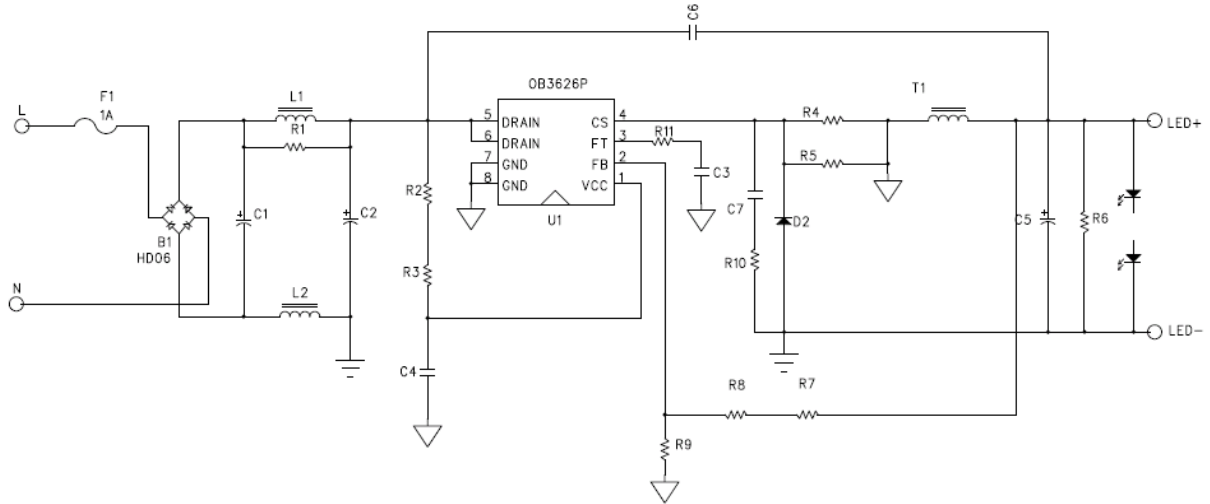
- Non-isolated buck application
 - QR mode to achieve High Efficiency(>88%)
 - Programmable Fade-in time
 - High precision constant output current ($< \pm 3\%$)
 - LED open/short protection, over temperature protection.
-

Revision History

Revise Date	Version	Reason/Issue
2016/06/09	00	First issue

1. Board Information

1.1. Board Schematic



1.2. Module Snapshot

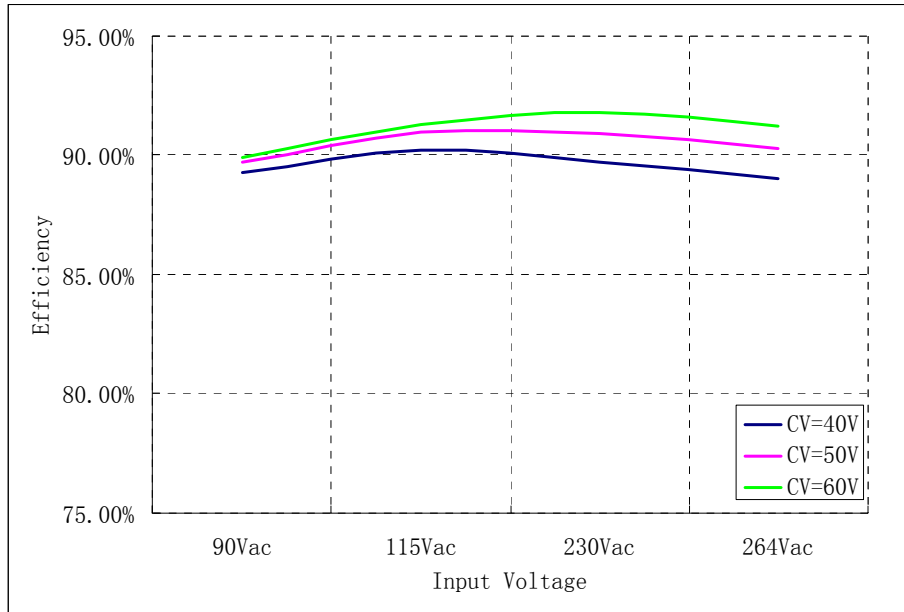


Size: 53.5mm(L) * 21mm(W) * 15mm(H)

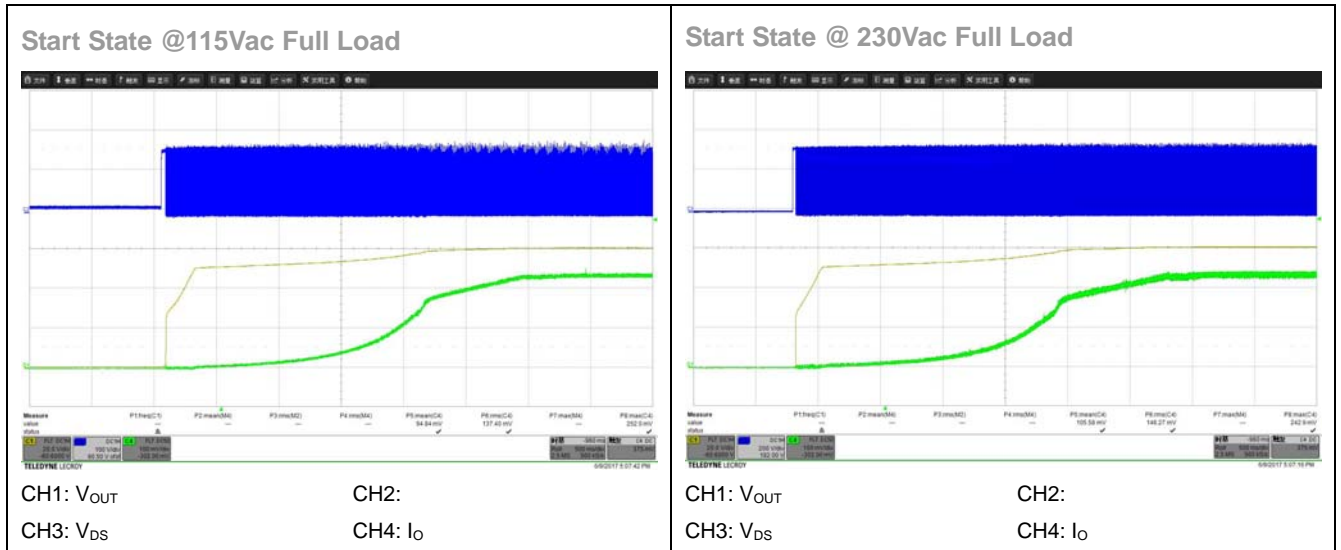
2. Performance Evaluation

2.1. Input Characteristics

3.1.1 Efficiency



3. Operating Waveform



Disclaimer

On-Bright Electronics reserves the right to make corrections, modifications, enhancements, improvements, and other changes to its documents, products and services at any time and to discontinue any product or service without notice. Customers should obtain the latest relevant information before placing orders and should verify that such information is current and complete.

This document is under copy right protection. None of any part of document could be reproduced, modified without prior written approval from On-Bright Electronics.