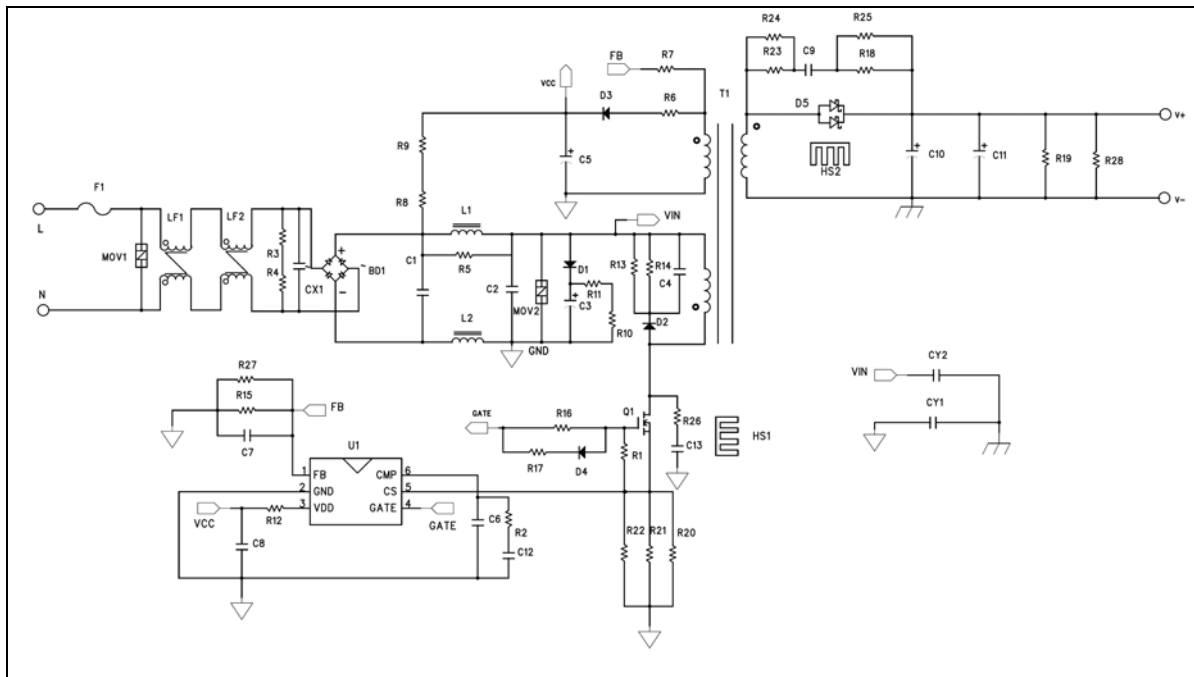


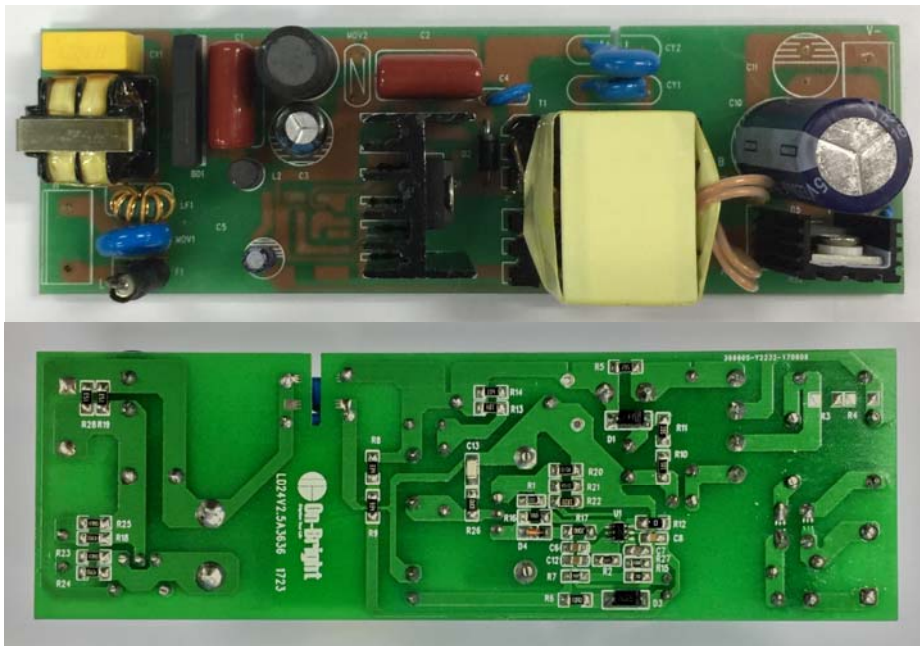


## 2 Module Information

### 2.1 Schematic



## 2.2 Module Snapshot



Length : width : height=137mm : 43mm : 26mm

### 3 Performance Evaluation

**Performance Highlights**

- No load standby power under 500mW@264VAC
- Efficiency more than 87%@115VAC&230VAC,Full load
- EMI passed EN55022 and FCC Part15 Class B test with more than 6dB margin.

**Characterization Results Summary**

Test Item	Test result
<b>1. Input characteristics</b>	
Standby power at no load (264Vac)	414mW
Efficiency (115/230Vac, Full load)	87.28%/88.74%
<b>2. Output characteristics</b>	
Line regulation	±0.31%
Load regulation	±0.93%
Ripple (Full load)	4.2V
Over shoot	0%
<b>3. Time sequence (90Vac, Full load)</b>	
Turn on delay time	0.97Sec.
<b>4. Protections</b>	
Short circuit protection	OK
Over voltage protection	OK
Over current protection	OK
Over temperature protection	OK

### Disclaimer

On-Bright Electronics reserves the right to make corrections, modifications, enhancements, improvements, and other changes to its documents, products and services at any time and to discontinue any product or service without notice. Customers should obtain the latest relevant information before placing orders and should verify that such information is current and complete.

This document is under copy right protection. None of any part of document could be reproduced, modified without prior written approval from On-Bright Electronics.