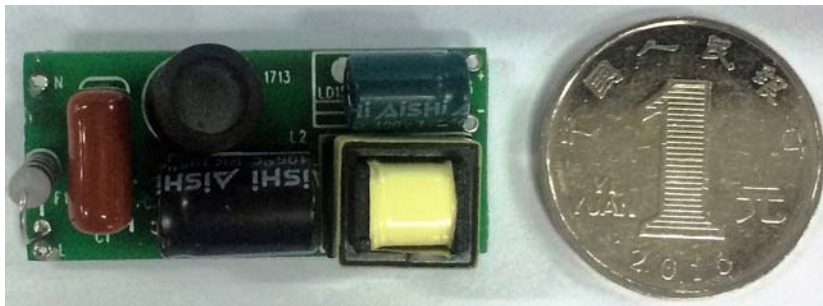


Subject
OB5628 Demo Board Manual

Board Model: LD150V120mA5628
 Doc. No.: OB_DOC_DBM_D_562800



40mm(L)*18mm(W)*14mm(H)

Key features:

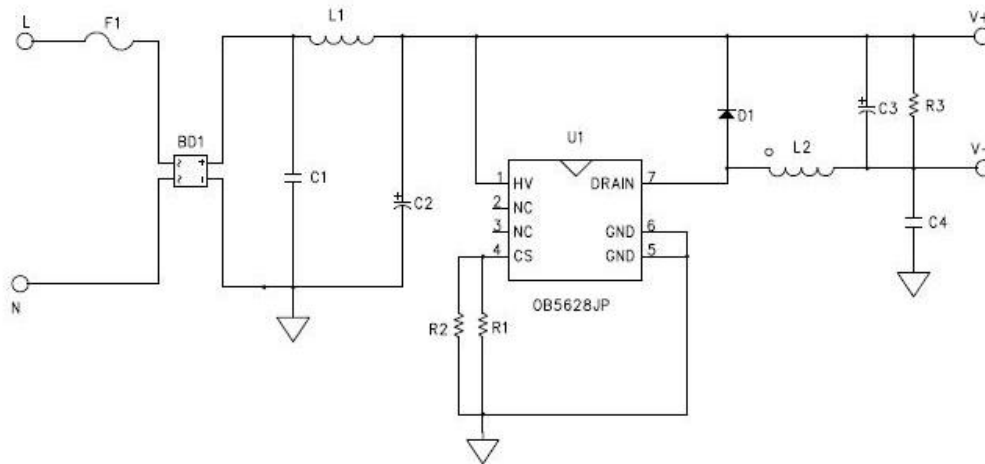
- Non-isolated buck application for T8 tube.
- Low cost application
- Lower output short power loss(<1W@264Vac input)
- LED short protection, over temperature protection.
- Meet EN55015 EMI

Revision History

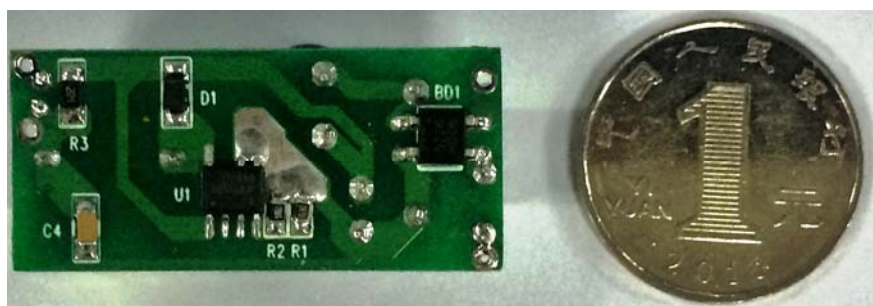
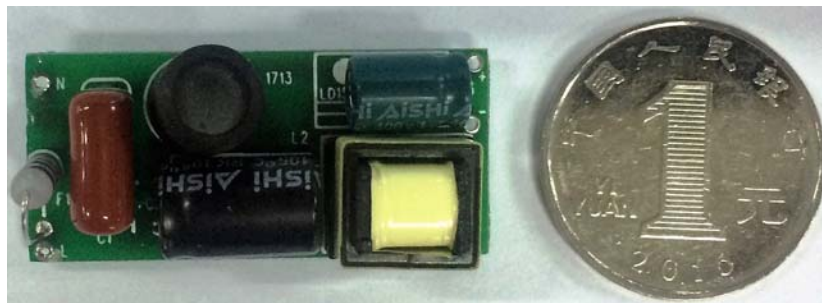
Revise Date	Version	Reason/Issue
2017/04/07	00	First issue

1 Board Information

1.1 Board Schematic



1.2 Module Snapshot



Size: 40mm(L) * 18mm(W) * 14mm(H)

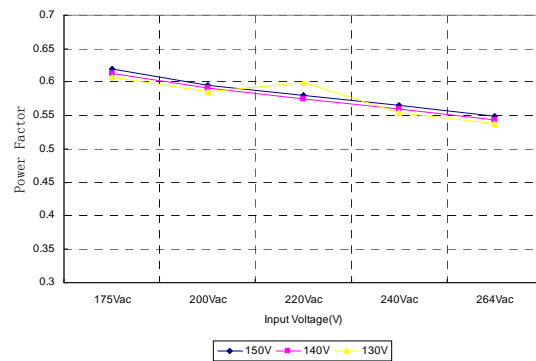
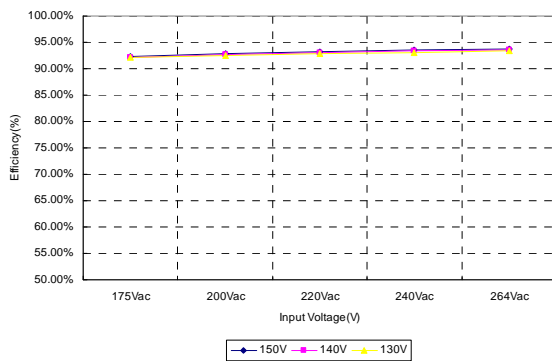
2 Performance Evaluation

3.1 Input Characteristics

3.1.1 Efficiency

Output Voltage	175Vac	200Vac	220Vac	240Vac	264Vac
$V_o=150V$	92.33%	92.77%	93.16%	93.54%	93.77%
$V_o=140V$	92.19%	92.69%	93.05%	93.41%	93.54%
$V_o=130V$	92.12%	92.58%	92.85%	93.12%	93.36%

3.1.2 PF



Disclaimer

On-Bright Electronics reserves the right to make corrections, modifications, enhancements, improvements, and other changes to its documents, products and services at any time and to discontinue any product or service without notice. Customers should obtain the latest relevant information before placing orders and should verify that such information is current and complete.

This document is under copy right protection. Non of any part of document could be reproduced, modified without prior written approval from On-Bright Electronics.