

**Subject**  
**OB5656 Demo Board Manual**

Board Model: LD5656BP 2031

Doc. No.: OB\_DOC\_DBM\_A\_565601

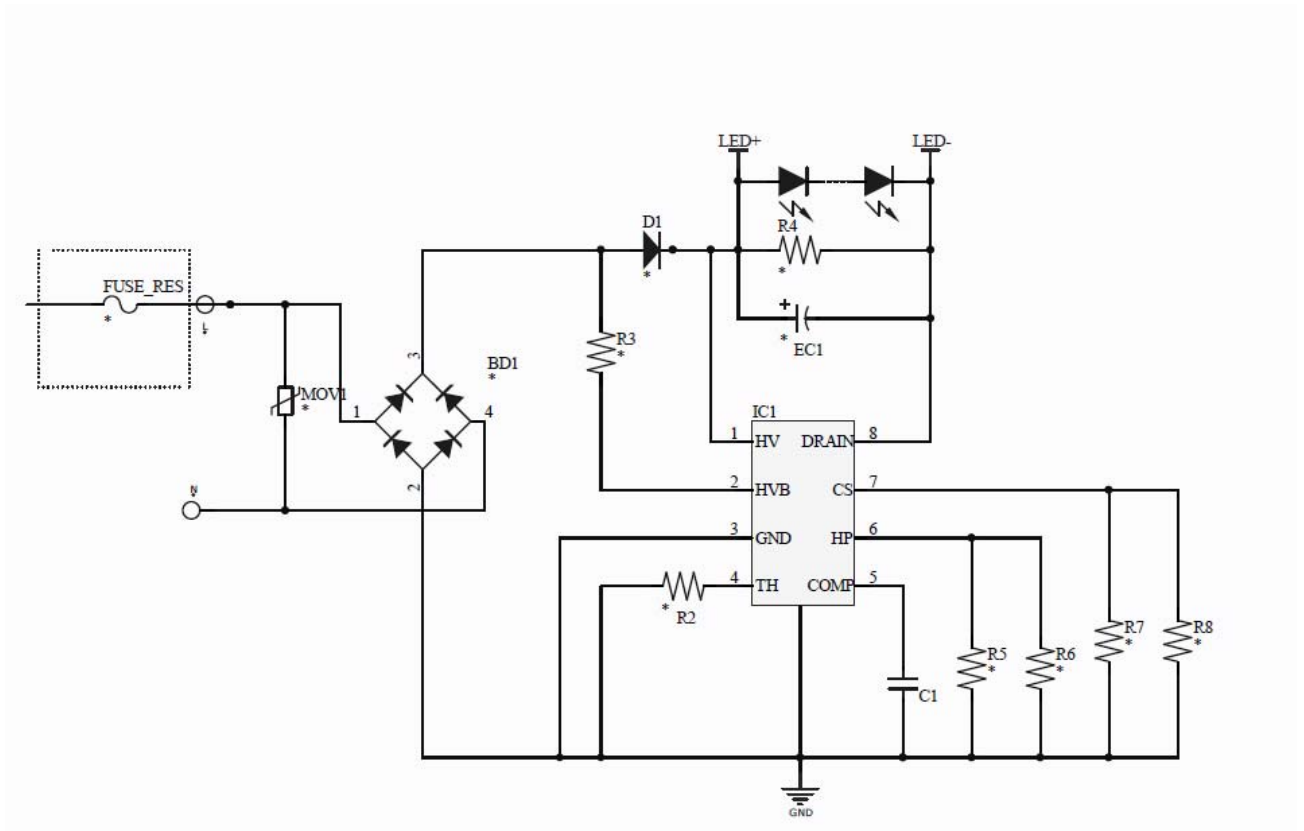


## Revision History

Revise Date	Version	Reason/Issue
2020-8-12	00	First issue
2020-10-20	01	Update Schematic

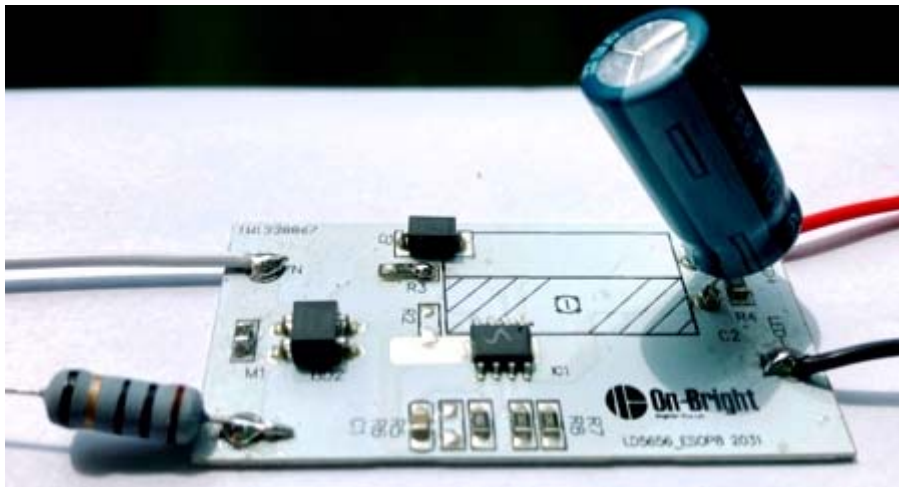
# 1. LED Lighting Information

## 2.1 Schematic



## 2.2 Module Snapshot

Top View



## 3 Performance Evaluation

### Performance Highlights

- Excellent TRIAC dimming performance
- 120Vac input only
- High Power factor >0.9
- HV startup
- Intelligent bleeder control for high efficiency
- High precision constant current regulation
- High power factor
- No inductance , EMI issue
- Low system cost
- Programmable thermal foldback function

### Characterization Results Summary

Test Item	Test Result
<b>1.Input Characteristics</b>	
Efficiency(120Vac,Full Load)	76%
<b>2.Output Characteristics</b>	
Current overshoot	0%
<b>3.Time Sequence(108Vac,Full Load)</b>	
Turn on delay time	365ms
<b>4.Power Factor</b>	
Power factor(120Vac,Full Load)	0.905
<b>5.Protection</b>	
Thermal Foldback	OK

### Disclaimer

On-Bright Electronics reserves the right to make corrections, modifications, enhancements, improvements, and other changes to its documents, products and services at any time and to discontinue any product or service without notice. Customers should obtain the latest relevant information before placing orders and should verify that such information is current and complete.

This document is under copy right protection. Non of any part of document could be reproduced, modified without prior written approval from On-Bright Electronics.