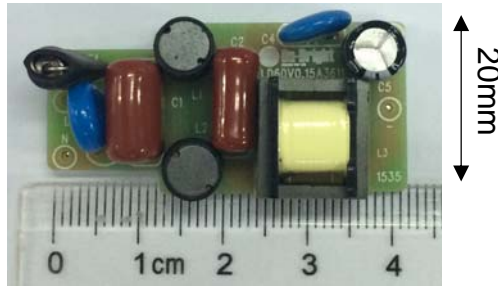


**Subject**  
**OB3611P Demo Board Manual**

Board Model: LD60V0.15A3611P  
Doc. No.: OB\_DOC\_DBM\_3611P03



**Key features:**

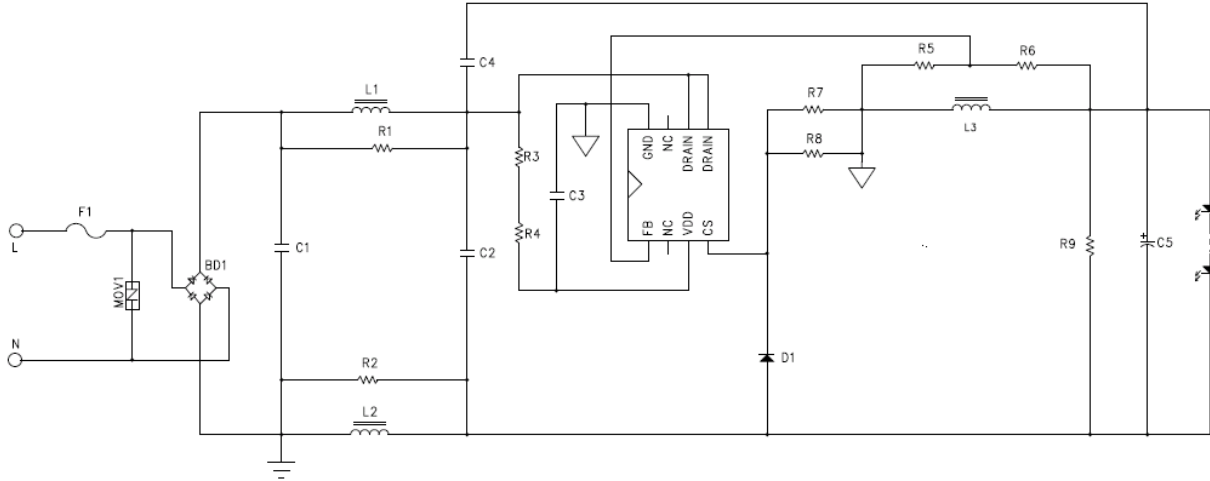
- Single stage PFC structure with non-isolated buck application
- QR mode to achieve high PF (>0.7)
- Low system cost and high efficiency (>88%)
- High precision constant output current (<±5%)
- LED open/short protection, over temperature protection.

**Revision History**

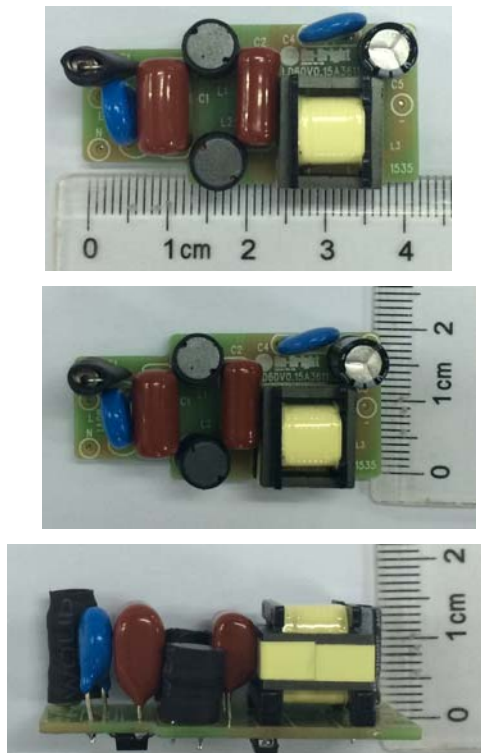
Revise Date	Version	Reason/Issue
2015/03/24	00	First issue
2015/06/18	01	Package change from PCP to PJP
2015/09/06	02	BOM update
2015/10/14	03	BOM update

# 1. Board Information

## 1.1. Board Schematic



## 1.2. Module Snapshot

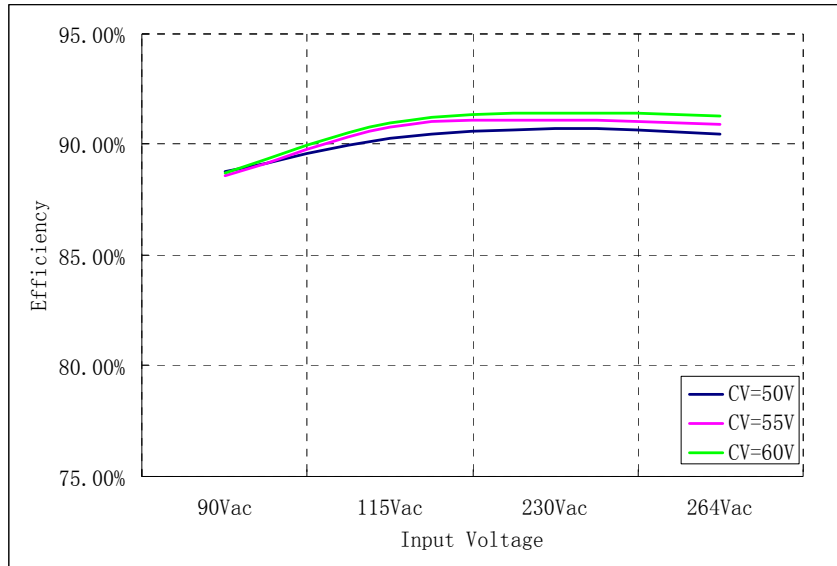


Size: 42mm(L) \* 20mm(W) \* 15mm(H)

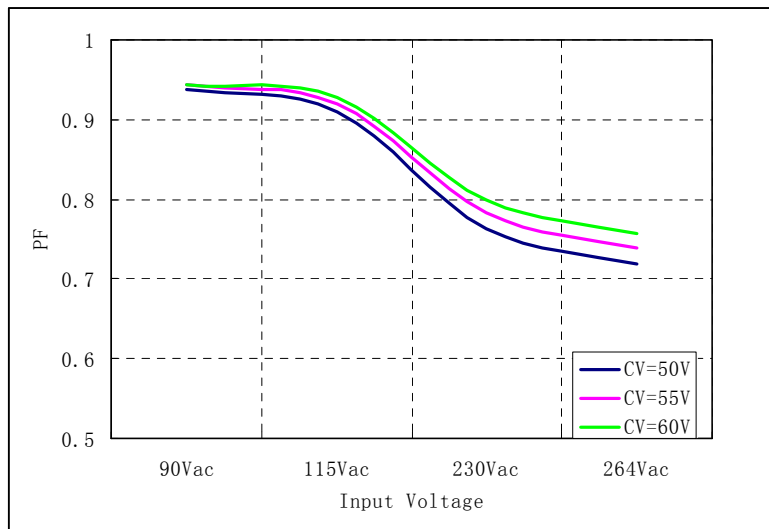
## 2. Performance Evaluation

### 2.1. Input Characteristics

#### 3.1.1 Efficiency



### 3.1.2 Power factor at full load



### Disclaimer

On-Bright Electronics reserves the right to make corrections, modifications, enhancements, improvements, and other changes to its documents, products and services at any time and to discontinue any product or service without notice. Customers should obtain the latest relevant information before placing orders and should verify that such information is current and complete.

This document is under copy right protection. None of any part of document could be reproduced, modified without prior written approval from On-Bright Electronics.