

Subject
OB5655 Demo Board Manual

Board Model: LD5.5W 5655_E12
Doc. No.: OB_DOC_DBM_C_565501

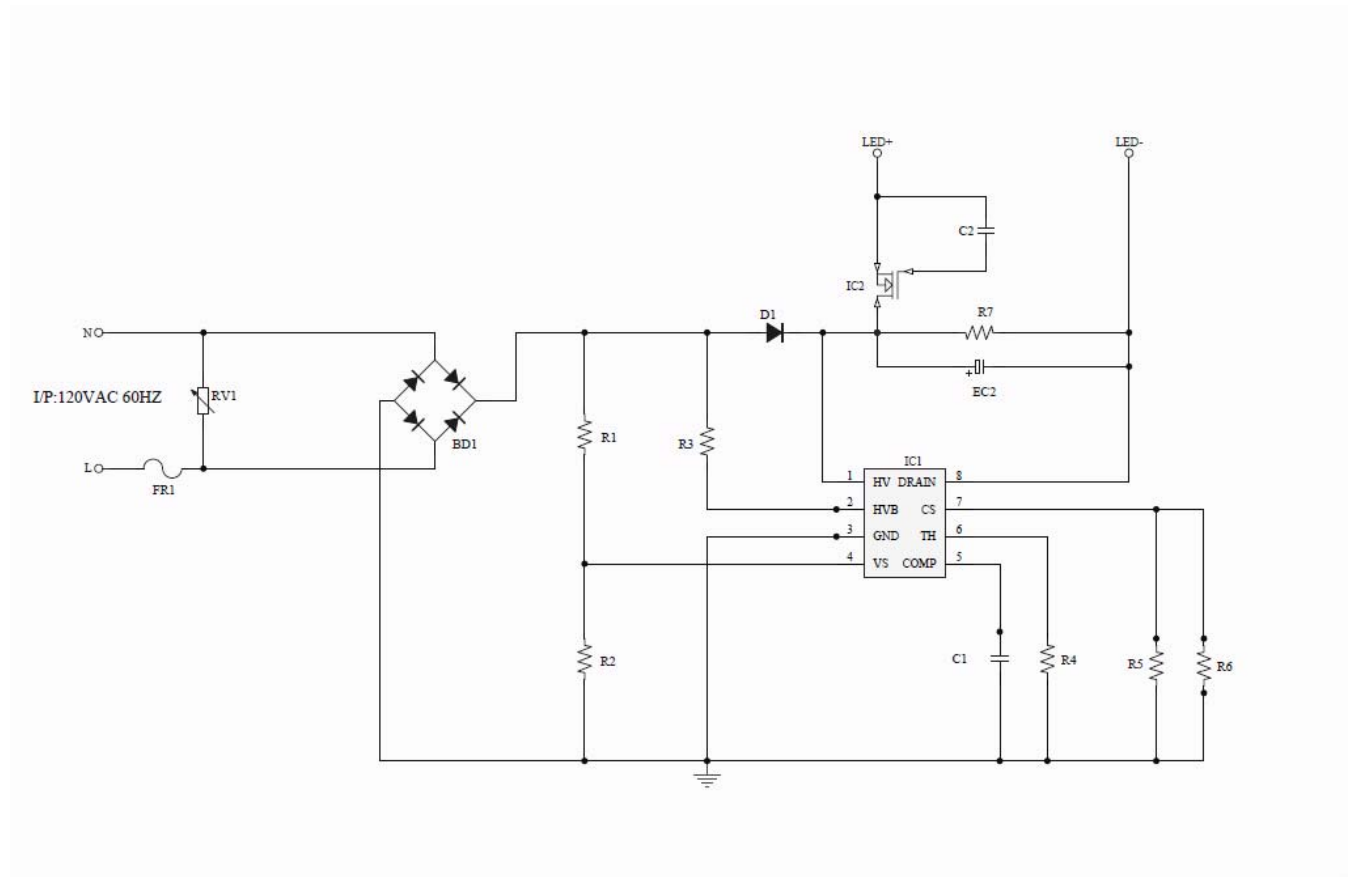


Revision History

Revise Date	Version	Reason/Issue
2019-6-06	00	First issue
2019-8-08	01	Updated BOM

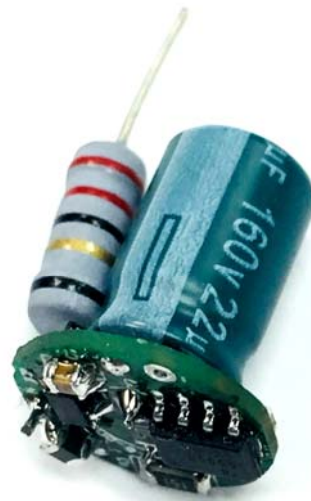
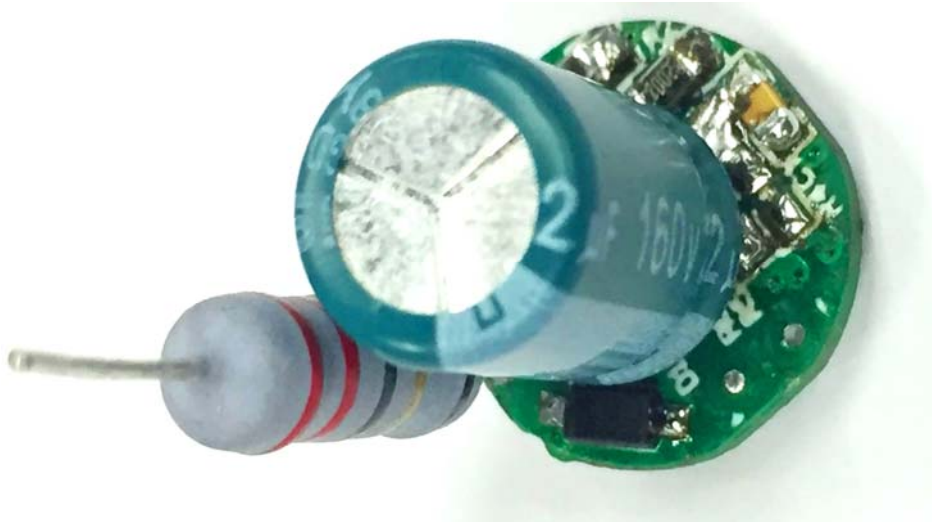
1. LED Lighting Information

2.1 Schematic



2.2 Module Snapshot

Top View



3 Performance Evaluation

Performance Highlights

- Excellent TRIAC dimming performance
- 120Vac input only
- HV startup
- Intelligent bleeder control for high efficiency
- High precision constant current regulation
- High power factor
- No inductance , EMI issue
- Low system cost
- Programmable thermal foldback function

Characterization Results Summary

Test Item	Test Result
1.Input Characteristics	
Efficiency(120Vac,Full Load)	81.9%
2.Output Characteristics	
Current overshoot	0%
3.Time Sequence(108Vac,Full Load)	
Turn on delay time	356ms
4.Power Factor	
Power factor(120Vac,Full Load)	0.777
5.Protection	
Thermal Foldback	OK

Disclaimer

On-Bright Electronics reserves the right to make corrections, modifications, enhancements, improvements, and other changes to its documents, products and services at any time and to discontinue any product or service without notice. Customers should obtain the latest relevant information before placing orders and should verify that such information is current and complete.

This document is under copy right protection. Non of any part of document could be reproduced, modified without prior written approval from On-Bright Electronics.