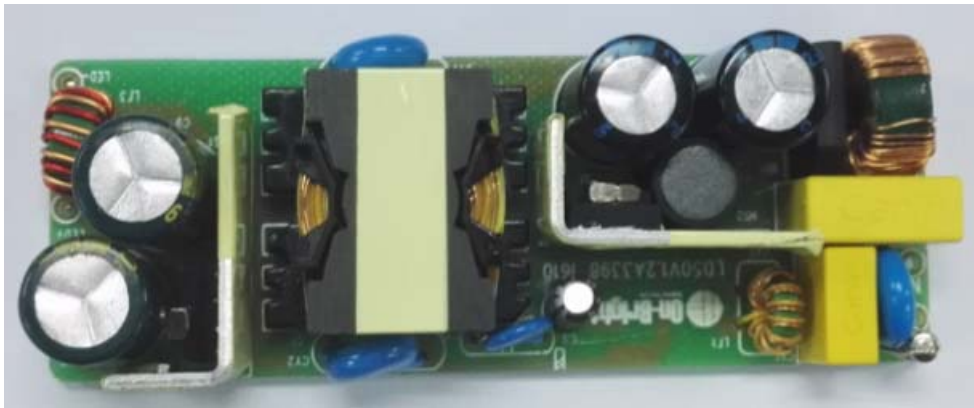


**Subject**  
**OB3398 Demo Board Manual**

Board Model: LD50V1.2A3398MP.01

Doc. No.: OB\_DOC\_DBM\_339801



101.4mm (L) \*36mm (W) \*25mm (H)

#### **Key Features**

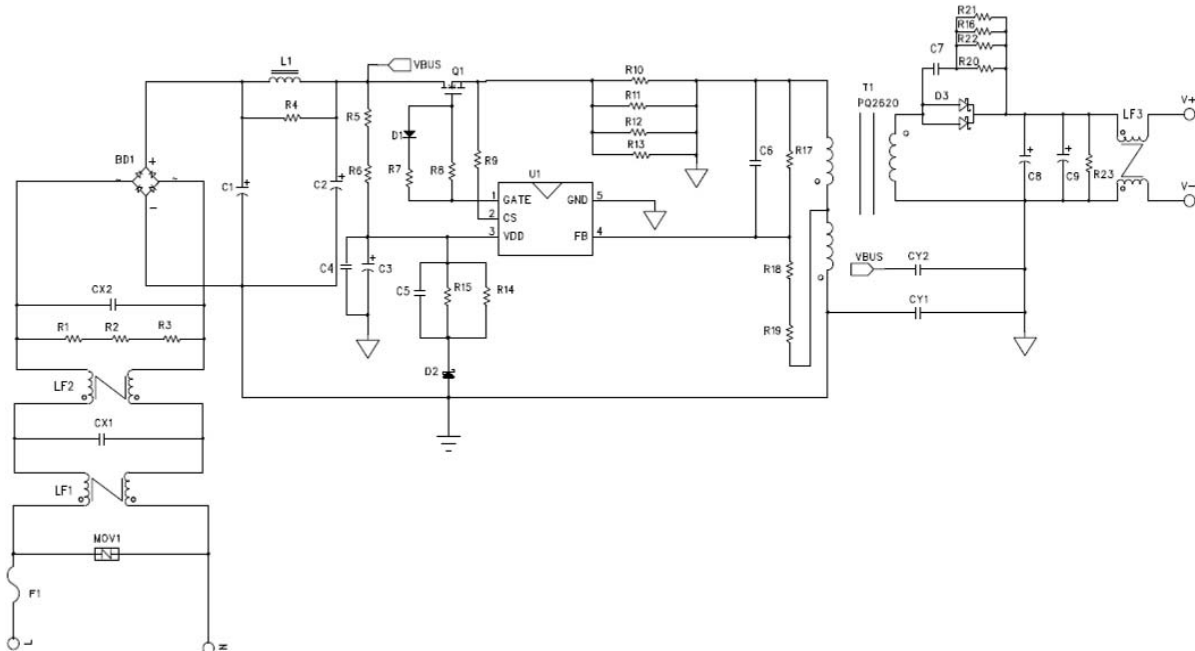
- Cost effective and simplified system design
- Without auxiliary winding
- Accurate primary-side constant current controller without secondary side control and opto-coupler
- Small size for 60W LEDs lighting (L\*W = 101.4mm\*36mm)
- Constant voltage(CV) when output is open
- Audio noise free operation
- Short circuit protection, open circuit CV protection and over temperature protection

#### **Revision History**

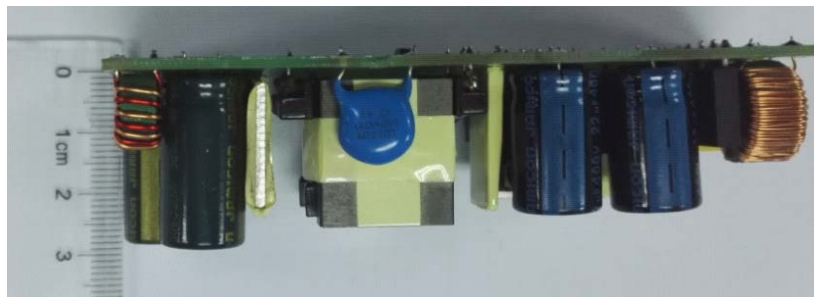
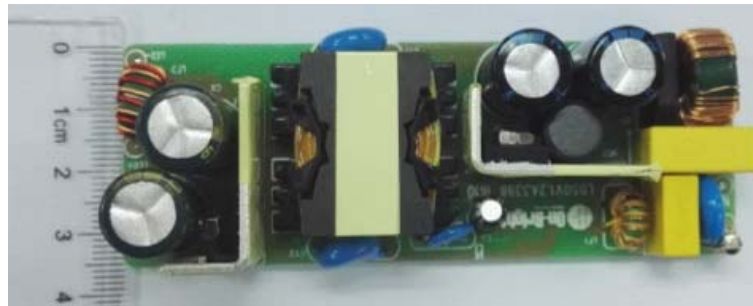
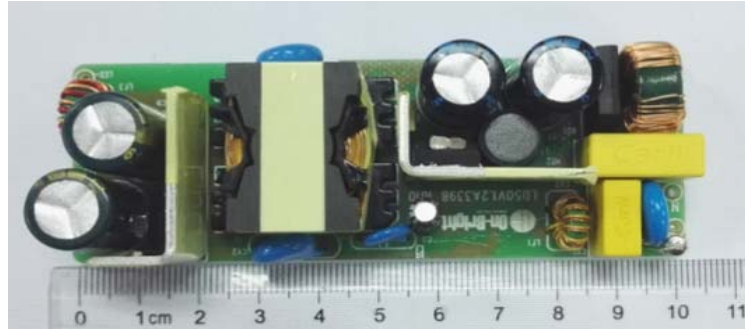
Revise Date	Version	Reason/Issue
2015-04-08	00	First issue
2016-03-09	01	System design improved

## 1 LED Lighting Information

### 2.1 Schematic



## 2.2 Module Snapshot



## 2 Performance Evaluation

### *Characterization Results Summary*

Test Item	Test result
<b>1. Input characteristics</b>	
Efficiency (230 Vac, Full load)	90.8%
<b>2. Output characteristics</b>	
Current overshoot	0%
<b>3. Time sequence (170Vac, Full load)</b>	
Turn on delay time	398ms
<b>4. Protections</b>	
Short Circuit protection	OK
Open Circuit protection	OK
Over Temperature protection	OK

### **Disclaimer**

On-Bright Electronics reserves the right to make corrections, modifications, enhancements, improvements, and other changes to its documents, products and services at any time and to discontinue any product or service without notice. Customers should obtain the latest relevant information before placing orders and should verify that such information is current and complete.

This document is under copy right protection. None of any part of document could be reproduced, modified without prior written approval from On-Bright Electronics.