

OB3336CP Demo Board Manual

Board Model:LD40V0.75A3336CP 1927

Doc. No: OB_DOC_DBM_E_333600



Key features:

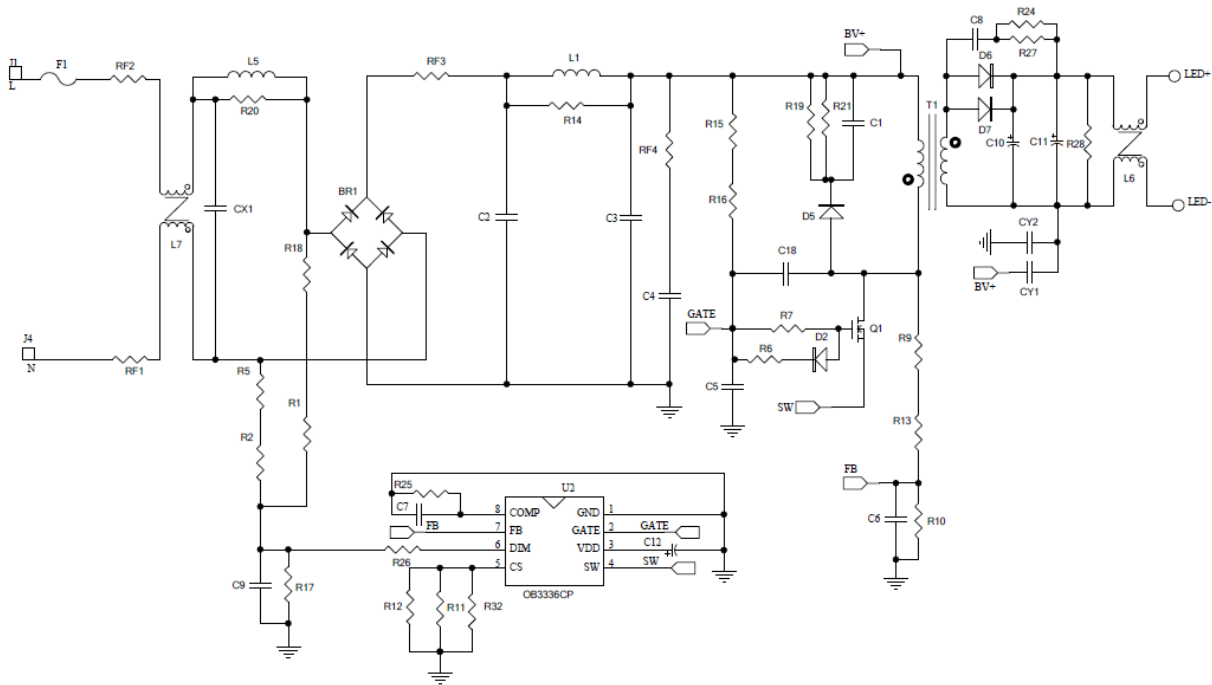
- Input 176-264Vac, output 40V @750mA
- Single stage PFC for LED driver, Power Factor > 0.9@230Vac
- Using AnyTRIAC™ technology
- Quasi-Resonant control for high efficiency
- Isolated AC/DC Flyback topology
- High Precision output current regulation
- Wide dimming range from 1%-100%
- No visible flicker
- Intelligent dimmer detection
 - Leading-edge dimmer
 - Trailing-edge dimmer
 - No dimmer
- EN55015 EMI

Revision History

Revise Date	Version	Reason/Issue
2019-7-18	00	First issue

1. LED Lighting Information

2.1 Schematic



3 Performance Evaluation

Performance Highlights

- Efficiency more than 85.12% @ 230Vac full load
- High precision output current regulation
- Power factor 0.986 @ 230Vac full load
- EMI pass EE55015 test with more than 6dB margin

Characterization Results Summary

Test Item	Test Result
1. Input Characteristics	
Efficiency(230Vac Full Load)	85.12%
2. Output Characteristics	
Current overshoot	0%
3. Time Sequence(176Vac, Full Load)	
Turn on delay time	0.24s
4. Power Factor	
Power factor(230Vac, Full Load)	0.986
5. Protection	
Over voltage protection	OK

Disclaimer

On-Bright Electronics reserves the right to make corrections, modifications, enhancements, improvements, and other changes to its documents, products and services at any time and to discontinue any product or service without notice. Customers should obtain the latest relevant information before placing orders and should verify that such information is current and complete.

This document is under copy right protection. Non of any part of document could be reproduced, modified without prior written approval from On-Bright Electronics.