

Subject
OB5653 Demo Board Manual

Board Model: OB5653BP 1748
Doc. No.: OB_DOC_DBM_B_565300

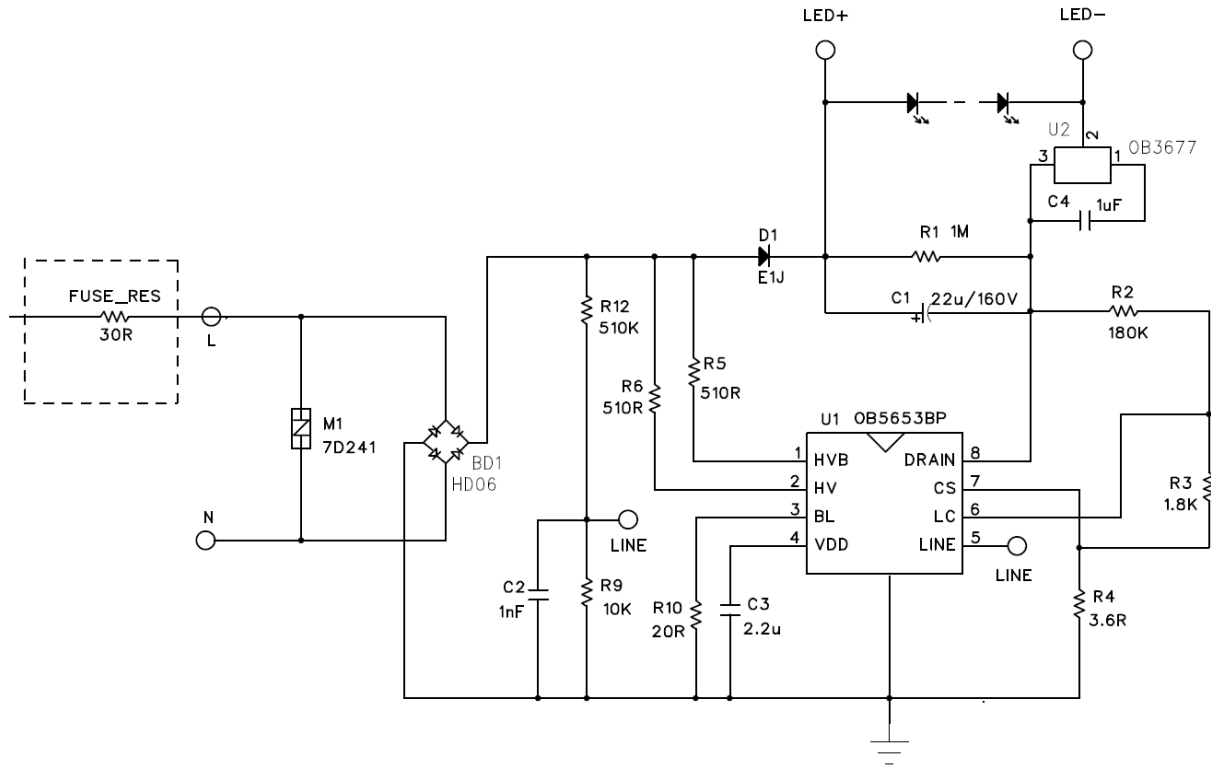


Revision History

Revise Date	Version	Reason/Issue
2018-01-08	00	First issue

1. LED Lighting Information

2.1 Schematic



2.2 Module Snapshot

Top View



Bottom View



3 Performance Evaluation

Performance Highlights

- Low 120Hz current ripple (<15%)
- Low cost of materials
- Excellent TRIAC dimming performance
- Programmable line voltage compensation
- Intelligent bleeder control for high efficiency
- Good TRIAC dimmable performance
- Thermal foldback function
- No inductance , EMI issue

Characterization Results Summary

Test Item	Test Result
1.Input Characteristics	
Efficiency(120Vac,Full Load)	82%
2.Output Characteristics	
Current overshoot	30.5% @132Vac
3.Time Sequence (108Vac,Full Load)	
Turn on delay time	126ms
4.Power Factor	
Power factor(120Vac,Full Load)	0.81
5.Protection	
Thermal Foldback	OK

Disclaimer

On-Bright Electronics reserves the right to make corrections, modifications, enhancements, improvements, and other changes to its documents, products and services at any time and to discontinue any product or service without notice. Customers should obtain the latest relevant information before placing orders and should verify that such information is current and complete.

This document is under copy right protection. Non of any part of document could be reproduced, modified without prior written approval from On-Bright Electronics.