

Subject
OB5622P Demo Board Manual

Board Model: LD120V150mA5622P
Doc. No.: OB_DOC_DBM_B_5622P01



47m(L)*26m(W)*16mm(H)

Key features:

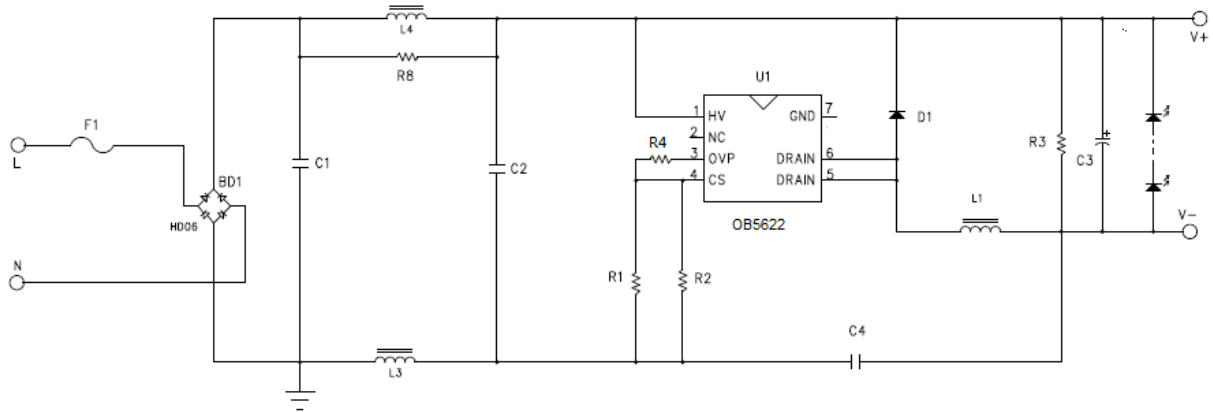
- Non-isolated buck application for T8 tube.
- Low cost application
- Lower output short power loss(<1W@264Vac input)
- LED short protection, Over temperature protection, Open Circuit Protection.

Revision History

Revise Date	Version	Reason/Issue
2020/08/05	00	First issue
2020/11/11	01	Improved performance

1. Board Information

1.1 Board Schematic



1.2 Module Snapshot



Size: 47mm(L) * 26mm(W) * 16mm(H)

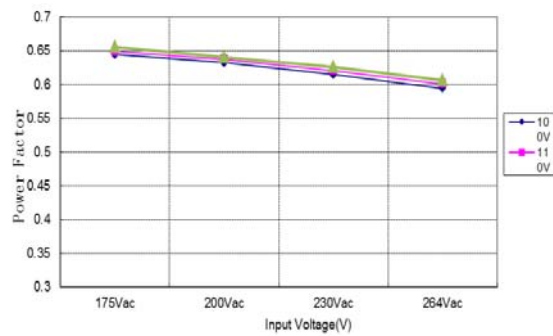
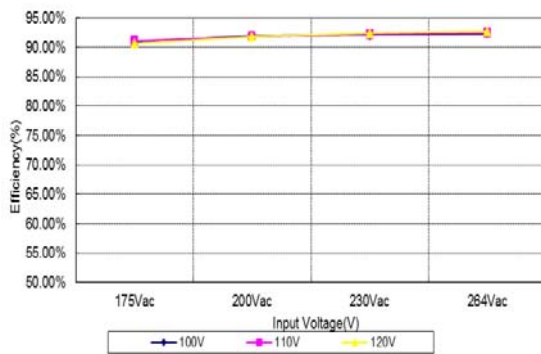
2. Performance Evaluation

3.1 Input Characteristics

3.1.1 Efficiency

Output Voltage	175Vac	200Vac	230Vac	264Vac
Vo=100V	90.98%	91.9%	92.10%	92.28%
Vo=110V	91.06%	91.81%	92.19%	92.44%
Vo=120V	90.65%	91.81%	92.33%	92.66%

3.1.2 PF



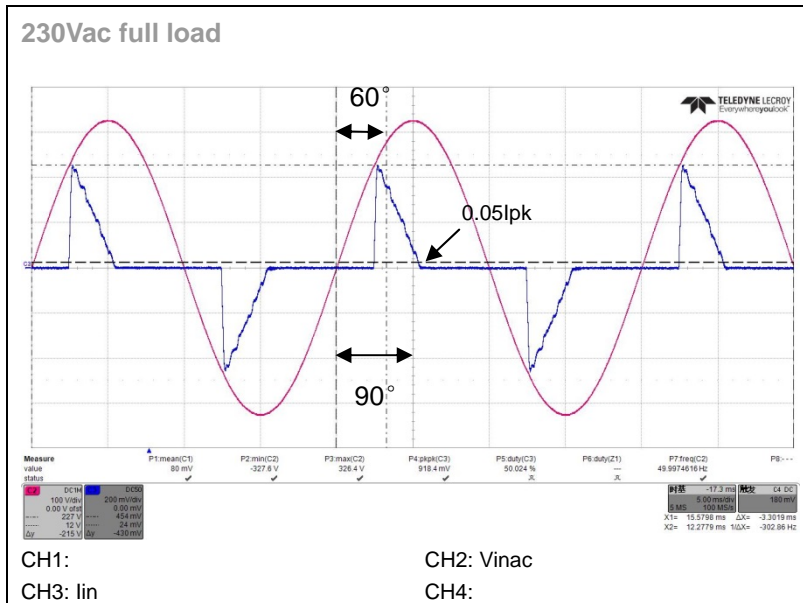
3.2 Energy-Related Products

3.2.1 Displacement Factor

	230Vac @full load
DF	0.9391

3.2.2 Harmonic Wave

	230Vac @full load
3 次	81.75%
5 次	53.9%



以上满足 IEC 61000-3-2: 2018 相关标准, 三次谐波电流以基波电流的百分比表示, 不超过 86%, 五次谐波电流不超过 61%, 另外输入电流的波形, 在 60° 之前达到 5% 电流阈值, 在 65° 之前达到峰值, 并在 90° 之前不低于 5% 电流阈值。

Disclaimer

On-Bright Electronics reserves the right to make corrections, modifications, enhancements, improvements, and other changes to its documents, products and services at any time and to discontinue any product or service without notice. Customers should obtain the latest relevant information before placing orders and should verify that such information is current and complete.

This document is under copy right protection. Non of any part of document could be reproduced, modified without prior written approval from On-Bright Electronics.