

**Subject**

**OB5682M Demo Board Manual**

Board Model: LD41V0.15A5682M

Doc. No.: OB\_DOC\_DBM\_A\_5682M00



**Key Features**

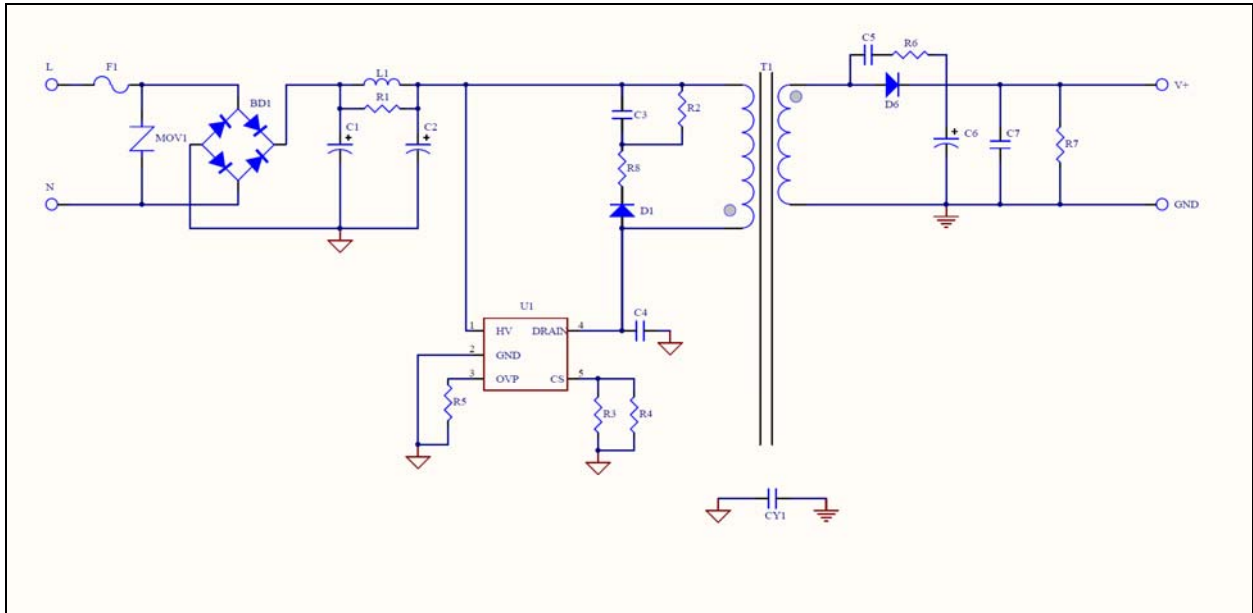
- Cost effective and simplified system design
- HV startup without power supply capacitor and auxiliary winding, second no RC design
- Accurate primary-side constant current controller without secondary side control and opto-coupler
- Small size for 9 to 12LEDs lighting
- Audio noise free operation
- Short circuit protection, over voltage protection
- EMI meet EN55015

## Revision History

Revise Date	Version	Reason/Issue
2019-7-22	00	First issue

# 1 LED Lighting Information

## 2.1 Schematic



## 2.2 Module Snapshot



Length : width : height=47mm : 24mm : 17mm

## 2 Performance Evaluation

### *Characterization Results Summary*

Test Item	Test result
<b>1. Input characteristics</b>	
Efficiency (230Vac, Full load)	83.50%
<b>2. Output characteristics</b>	
Current overshoot	0%
Current undershoot	2%
<b>3. Time sequence (176Vac, Full load)</b>	
Turn on delay time	40.6ms
<b>4. Protections</b>	
Short Circuit protection	OK
Over Voltage protection	OK

### **Disclaimer**

On-Bright Electronics reserves the right to make corrections, modifications, enhancements, improvements, and other changes to its documents, products and services at any time and to discontinue any product or service without notice. Customers should obtain the latest relevant information before placing orders and should verify that such information is current and complete.

This document is under copy right protection. None of any part of document could be reproduced, modified without prior written approval from On-Bright Electronics.