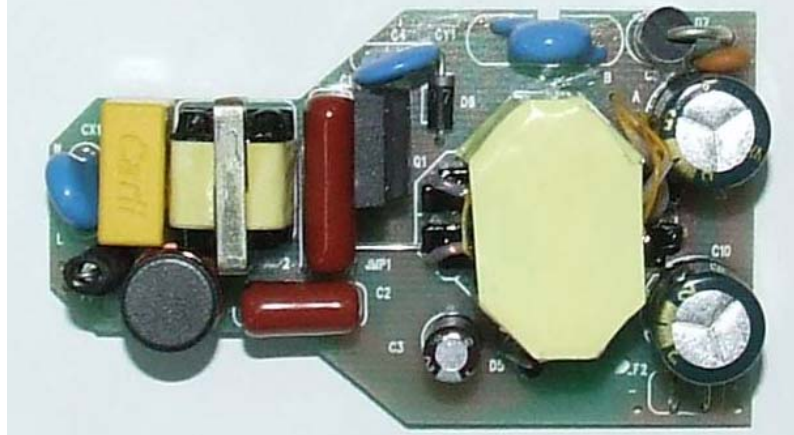


**Subject**  
**OB3330X Demo Board Manual**

Board Model: LED42V0.4A-OB3330X.00  
 Doc. No.: OB\_DOC\_DBM\_B\_3330XA0



**Key features:**

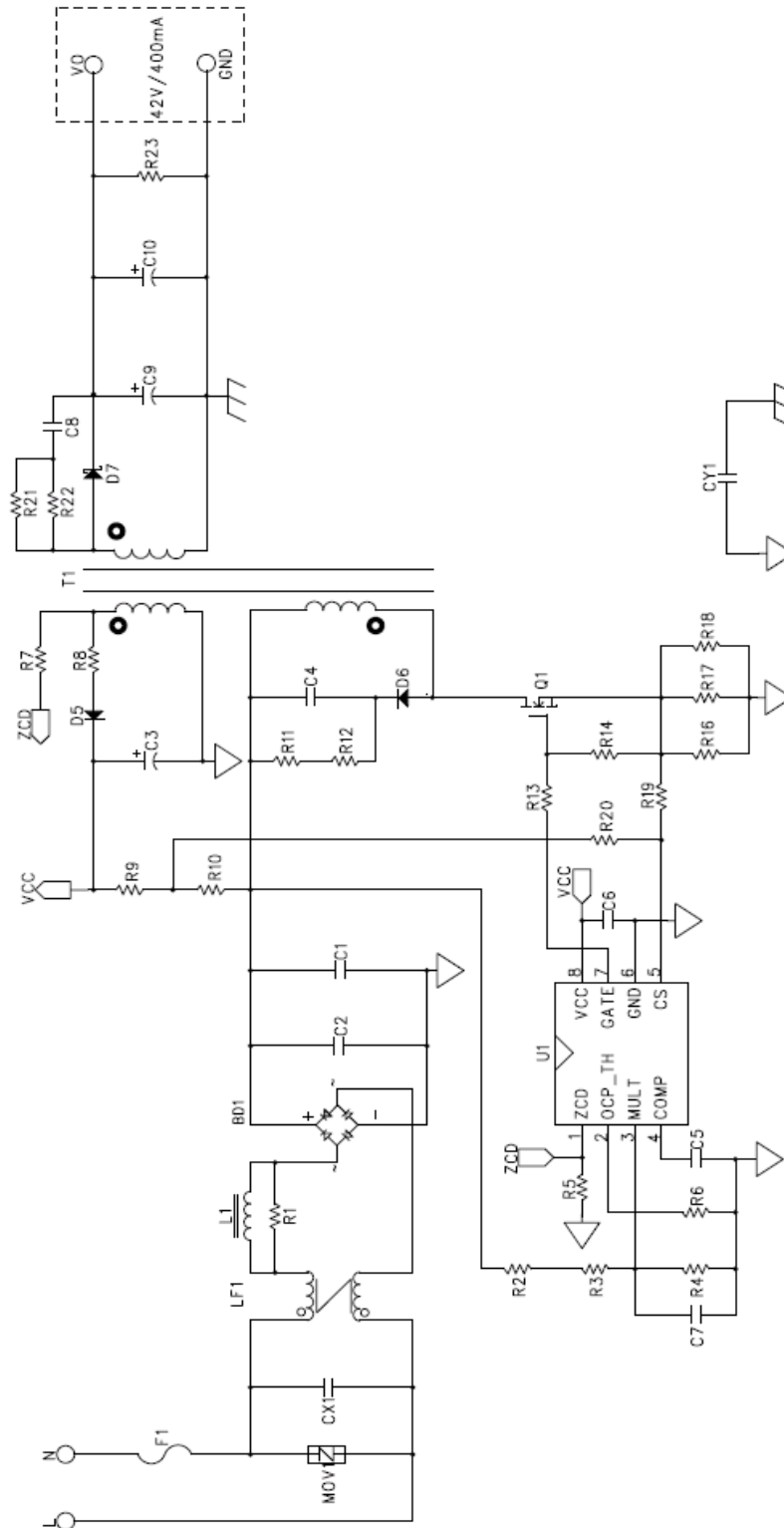
- Primary-side control with single stage PFC for LED driver
- Minimum BOM component amount
- Power factor >0.9
- THD meet IEC61000-3-2 Class C
- Short circuit protection
- Meet EN55015 & FCC Part 15 EMI

### Revision History

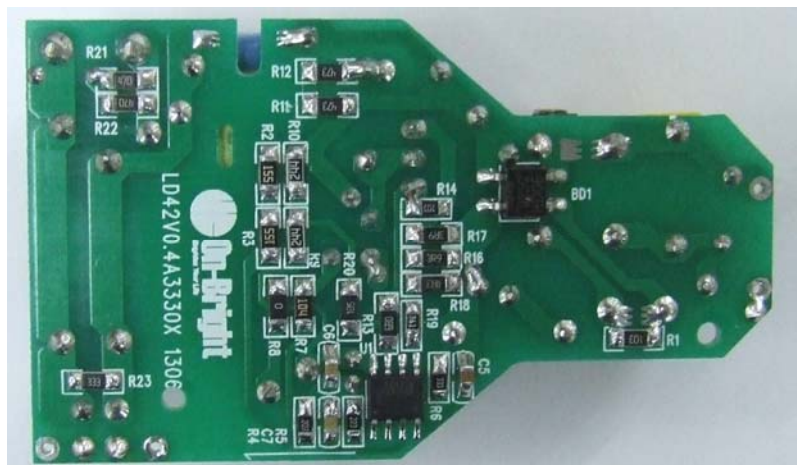
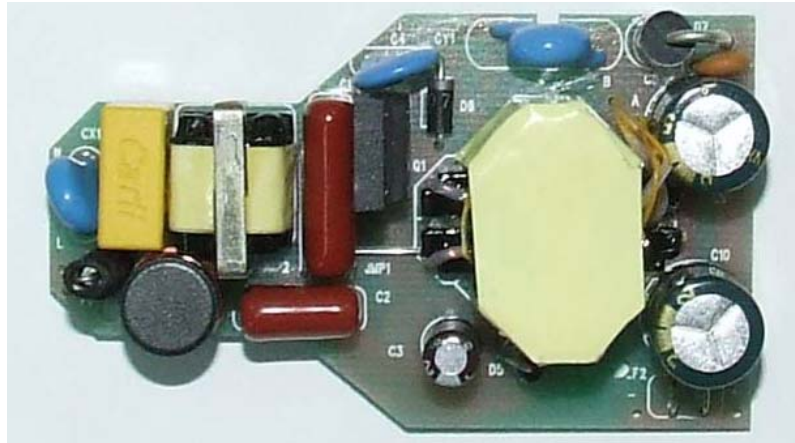
Revise Date	Version	Reason/Issue
2013-03-15	A0	First issue

## 1. LED Module Information

### 1.1. Schematic



## 1.2. LED Module Snapshot



**SIZE: 66.5mm (L) x39mm (W) x22mm (H)**

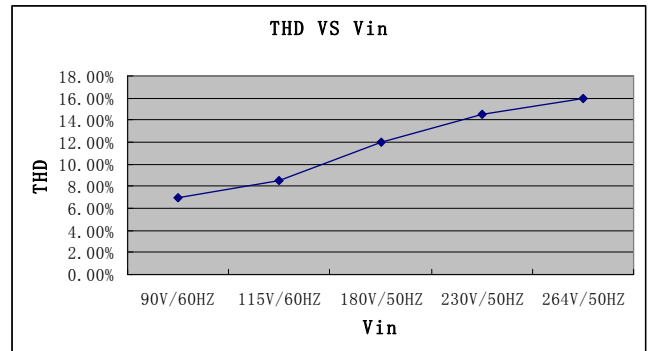
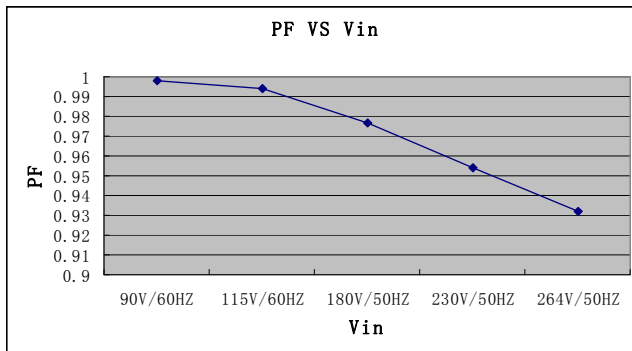
### 3.1. Input Characteristics

#### 3.1.1. Efficiency

Table. 1 Efficiency under full load

Input voltage	90V/60Hz	115V/60Hz	180V/50Hz	230V/50Hz	264V/50Hz	Spec.	Test result
Output 42V	86.20%	87.80%	89.00%	88.53%	87.55%	> 85%	Pass

#### 3.1.2. Power Factor & THD



### Disclaimer

On-Bright Electronics reserves the right to make corrections, modifications, enhancements, improvements, and other changes to its documents, products and services at any time and to discontinue any product or service without notice. Customers should obtain the latest relevant information before placing orders and should verify that such information is current and complete.

This document is under copy right protection. Non of any part of document could be reproduced, modified without prior written approval from On-Bright Electronics.